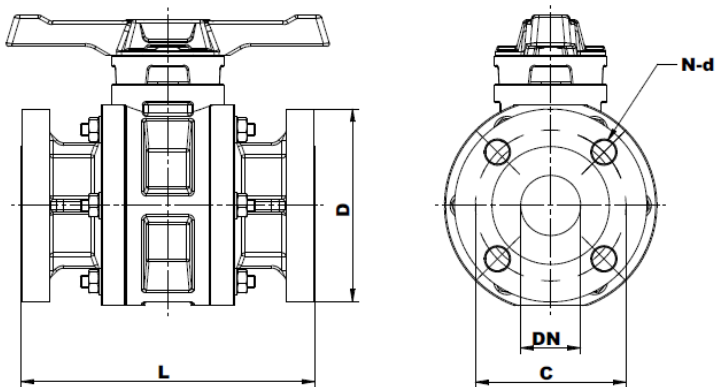
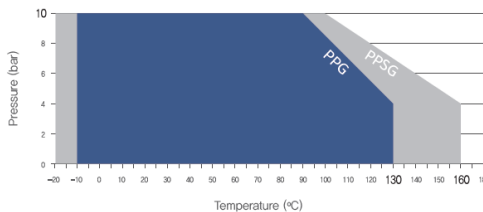


FLUONICS Lined Composite Products

Series CBA1

| Pressure-Temperature Chart



SIZE (DN)	Operating Torque (N·m)	Cv	Weight (kg)
25	8	60	1.8
40	9.8	213	2.8
50	14.8	300	5.8
80	34.5	670	13.8

ANSI 150 LBS

SIZE	DN	L					D	C	N-d
		ANSI	DIN	JIS-1	JIS-2	JIS-3			
1"	24	127	160	172	173	170	108	79.5	4-16
1½"	37	165	200	187	195	191	127	98.5	4-16
2"	48	-	230	212	215	212	152	120.5	4-19
3"	75	-	310	310	271	266	190.5	152.5	4-19

JIS 10K

SIZE	DN	L					D	C	N-d
		ANSI	DIN	JIS-1	JIS-2	JIS-3			
25A	24	127	160	172	173	170		79.5	4-16
40A	37	165	200	187	195	191	127	98.5	4-16
50A	48	-	230	212	215	212	152	120.5	4-19
80A	75	-	310	310	271	266	190.5	152.5	4-19

PN 16

SIZE	DN	L					D	C	N-d
		ANSI	DIN	JIS-1	JIS-2	JIS-3			
25	24	127	160	172	173	170	108	79.5	4-16
40	37	165	200	187	195	191	127	98.5	4-16
50	48	-	230	212	215	212	152	120.5	4-19
80	75	-	310	310	271	266	190.5	152.5	4-19