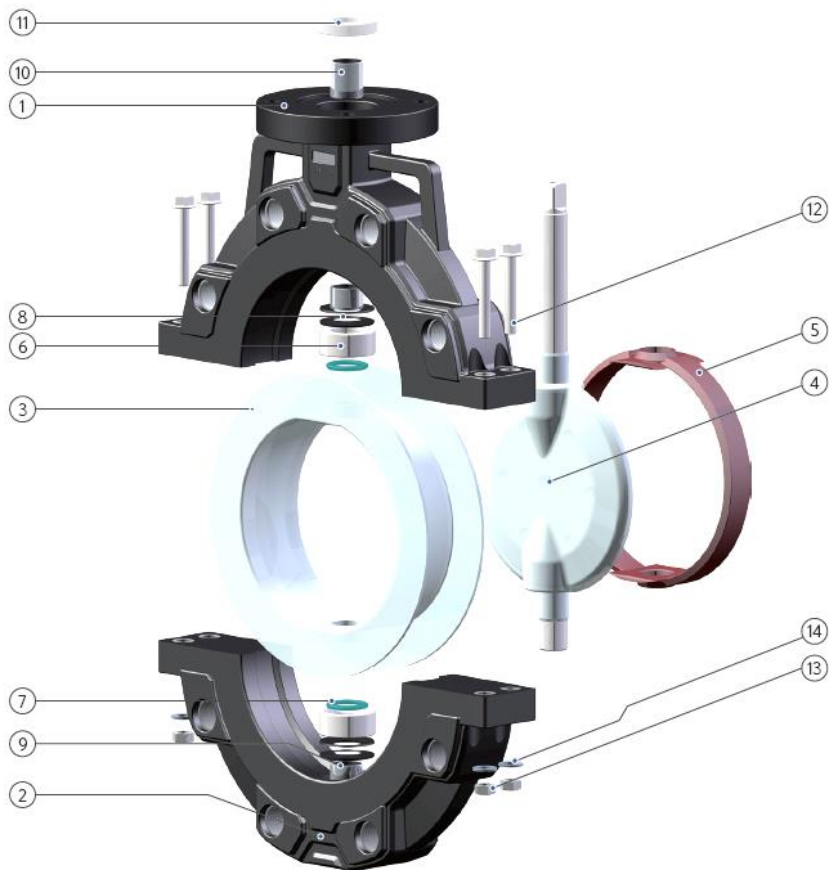


FLUONICS Lined Composite Products

Series CBU1



STRUCTURE & SPECIFICATIONS

NO.	PART NAME	MATERIAL
1	UPPER BODY	PPG
2	LOWER BODY	PPG
3	BODY LINER	PFA
4	DISC	CF8 with PFA
5	LINER BACK UP	FKM
6	PUSHER	SUS 304
7	O-RING	FKM
8	BELLEVILLE SPRING	AISI 6150
9	BUSH BEARING	SUS 304 (PTFE Coated)
10	TOP BUSH BEARING	SUS 304 (PTFE Coated)
11	TOP SEAL	PTFE
12	HEX. HEAD BOLT	SUS 304
13	HEX. NUT	SUS 304
14	PLAIN WASHER	SUS 304