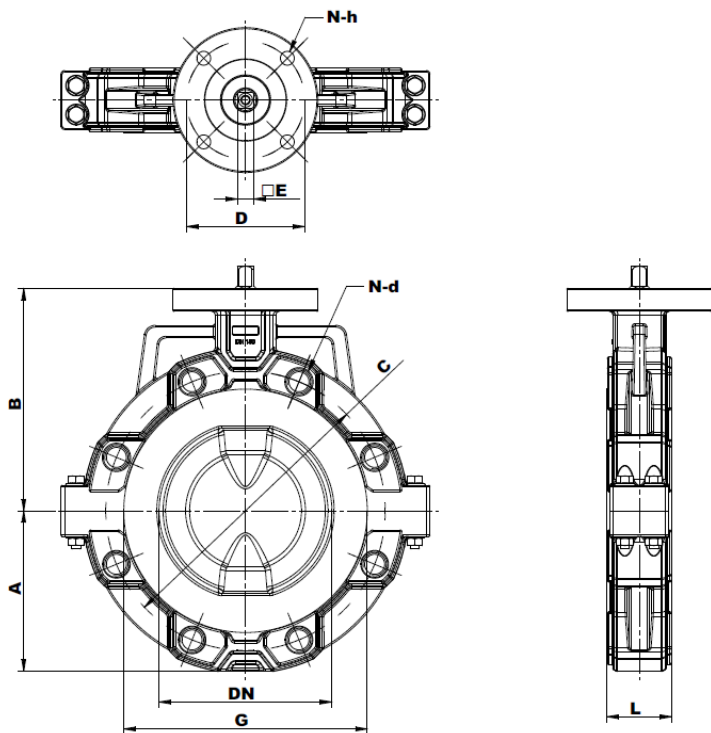
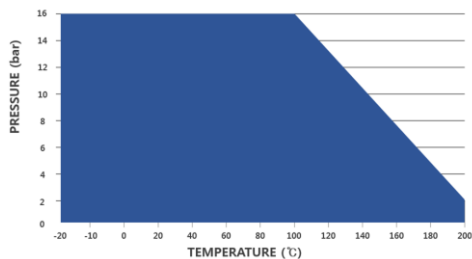


FLUONICS Lined Composite Products

Series CBU1



Pressure-Temperature Chart



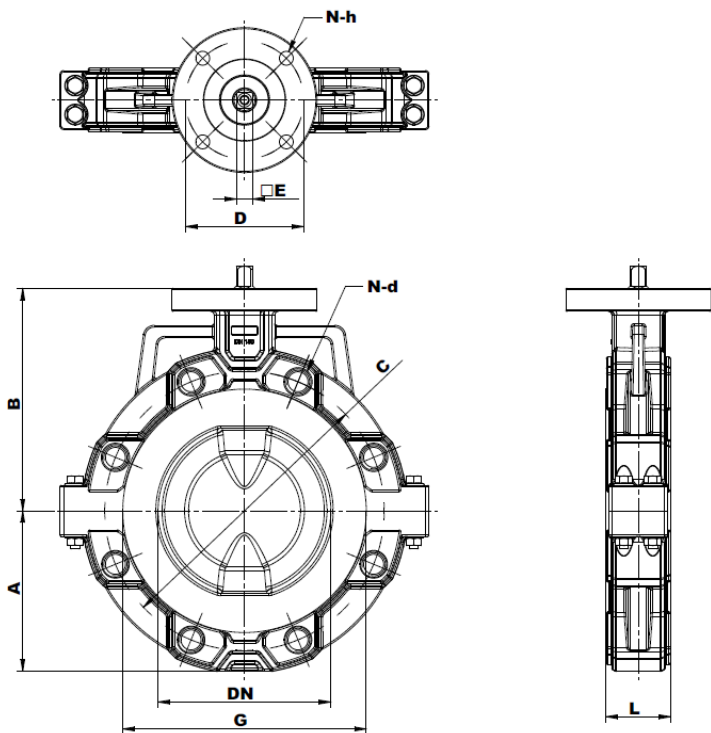
SIZE (DN)	Operating Torque(N·m)	Cv
50	30	190
65	30	190
80	60	350
100	100	650
125	110	1060
150	140	2140
200	230	3480
250	420	6730
300	650	10438

ANSI 150 LBS

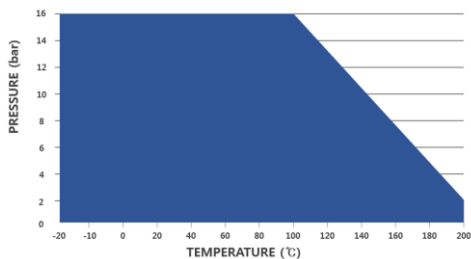
SIZE (DN)	A	B	C	Wafer	Lug	D	N-h	E	G	L
				N-d	N-d					
80	92	141	152.4	4-19	4-5/8	70	4-9	11	127	46
100	107	160	190.5	-	8-5/8	70	4-9	14	149	52
150	130	192	241.3	-	8-3/4	102	4-12	14	210	56
200	161	230	298.4	-	8-3/4	102	4-12	17	251	60
250	197	275	362	-	12-7/8	125	4-14	24	310	68
300	236	310	431.8	-	12-7/8	125	4-14	24	368	78

FLUONICS Lined Composite Products

Series CBU1



Pressure-Temperature Chart



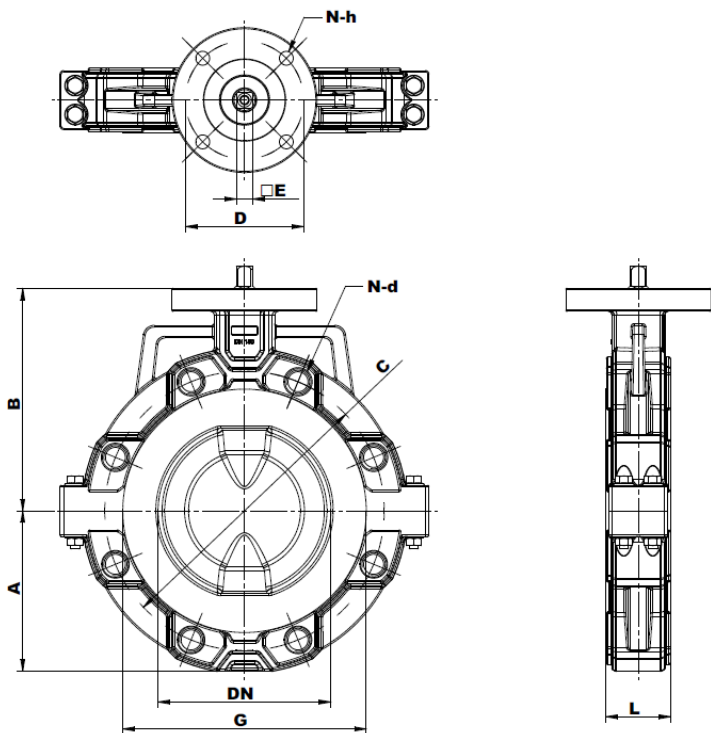
SIZE (DN)	Operating Torque(N·m)	Cv
50	30	190
65	30	190
80	60	350
100	100	650
125	110	1060
150	140	2140
200	230	3480
250	420	6730
300	650	10438

JIS10K

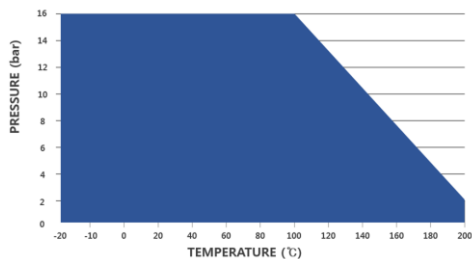
SIZE (DN)	A	B	C	Wafer	Lug	D	N-h	E	G	L
				N-d	N-d					
80	92	141	150	8-19	8-M16	70	4-9	11	127	46
100	107	160	175	-	8-M16	70	4-9	14	149	52
150	130	192	240	-	8-M20	102	4-12	14	210	56
200	161	230	290	-	12-M20	102	4-12	17	251	60
250	197	275	355	-	12-M22	125	4-14	24	310	68
300	236	310	400	-	16-M22	125	4-14	24	368	78

FLUONICS Lined Composite Products

Series CBU1



Pressure-Temperature Chart



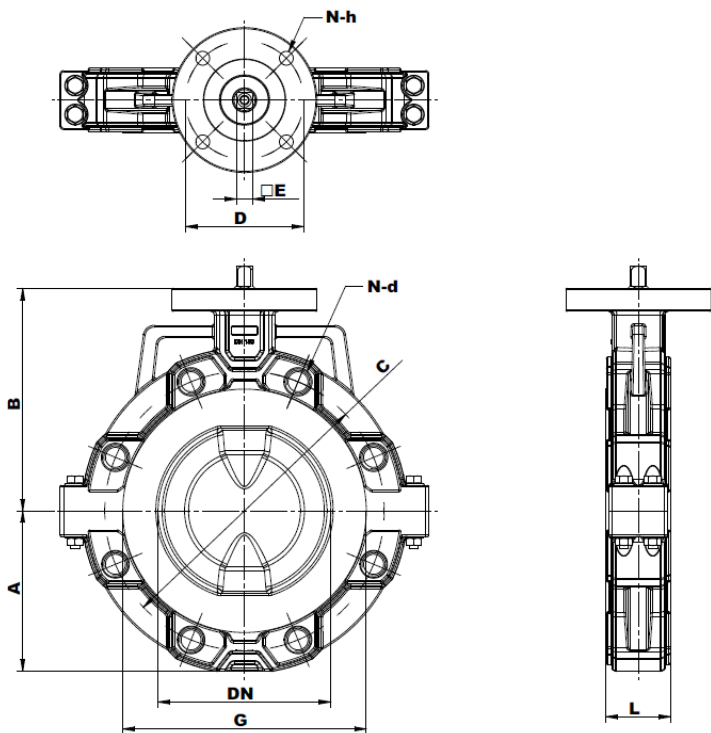
SIZE (DN)	Operating Torque(N·m)	Cv
50	30	190
65	30	190
80	60	350
100	100	650
125	110	1060
150	140	2140
200	230	3480
250	420	6730
300	650	10438

PN16

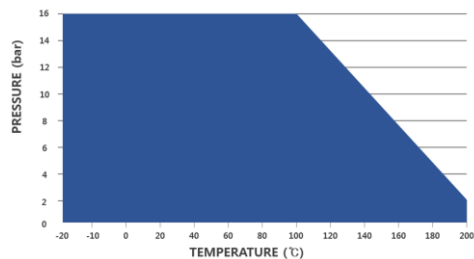
SIZE (DN)	A	B	C	Wafer	Lug	D	N-h	E	G	L
				N-d	N-d					
80	92	141	160	8-18	8-M16	70	4-9	11	127	46
100	107	160	180	-	8-M16	70	4-9	14	149	52
150	130	192	240	-	8-M20	102	4-12	14	210	56
200	161	230	295	-	8-M20	102	4-12	17	251	60
250	197	275	355	-	12-M20	125	4-14	24	310	68
300	236	310	410	-	12-M20	125	4-14	24	368	78

FLUONICS Lined Composite Products

Series CBU1



Pressure-Temperature Chart



SIZE (DN)	Operating Torque(N·m)	Cv
50	30	190
65	30	190
80	60	350
100	100	650
125	110	1060
150	140	2140
200	230	3480
250	420	6730
300	650	10438

PN10

SIZE (DN)	A	B	C	Wafer	Lug	D	N-h	E	G	L
				N-d	N-d					
80	92	141	160	8-18	8-M16	70	4-9	11	127	46
100	107	160	180	-	8-M16	70	4-9	14	149	52
150	130	192	240	-	8-M20	102	4-12	14	210	56
200	161	230	295	-	8-M20	102	4-12	17	251	60
250	197	275	350	-	12-M20	125	4-14	24	310	68
300	236	310	400	-	12-M20	125	4-14	24	368	78