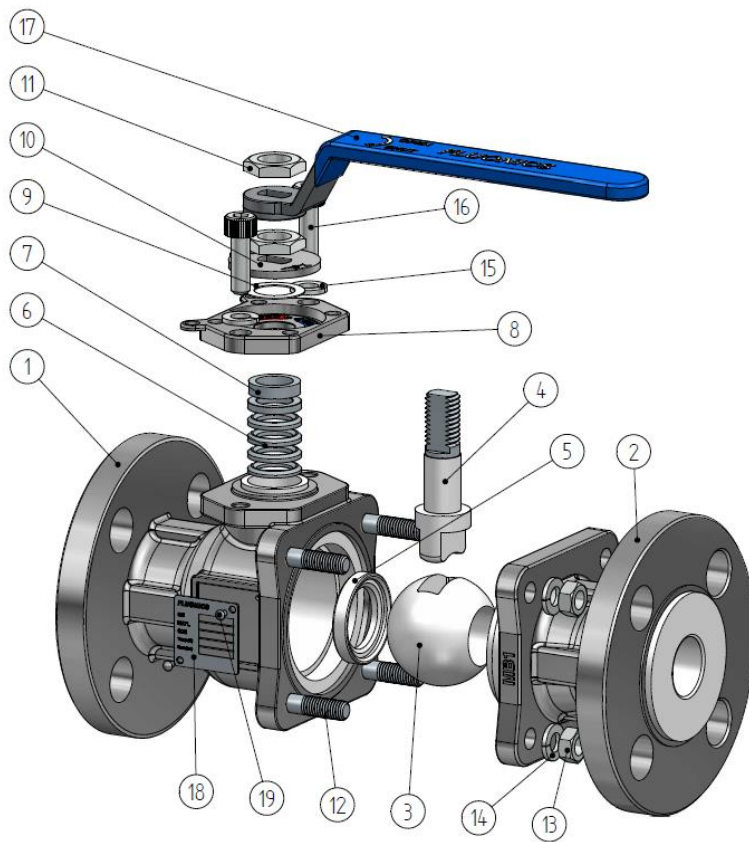


FLUONICS Lined Products

Series FBA1



STRUCTURE & SPECIFICATIONS

NO.	PART NAME	MATERIAL
1	BODY	WCB / CF8 / D.I with PFA
2	TAIL	WCB / CF8 / D.I with PFA
3	BALL	WCB / CF8 with PFA
4	STEM	CF8M with PFA
5	BALL SEAT	PTFE
6	CHEVRON PACKING	PTFE
7	GLAND	CF8
8	BONNET	CF8 / WCB
9	BONNET GASKET	PTFE
10	INDICATOR	CF8
11	STEM NUT	A194 Gr 8
12	STUD BOLT	A193 Gr B8
13	HEX.NUT	A194 Gr 8
14	SPRING WASHER	SUS 304
15	SPRING WASHER	SUS 304
16	SOCKET HEAD CAP SCREW	A193 Gr B8
17	HANDLE	C.S, PVC COATED / WCB / CF8
18	NAME PLATE	SUS 304
19	RIVET	SUS 304