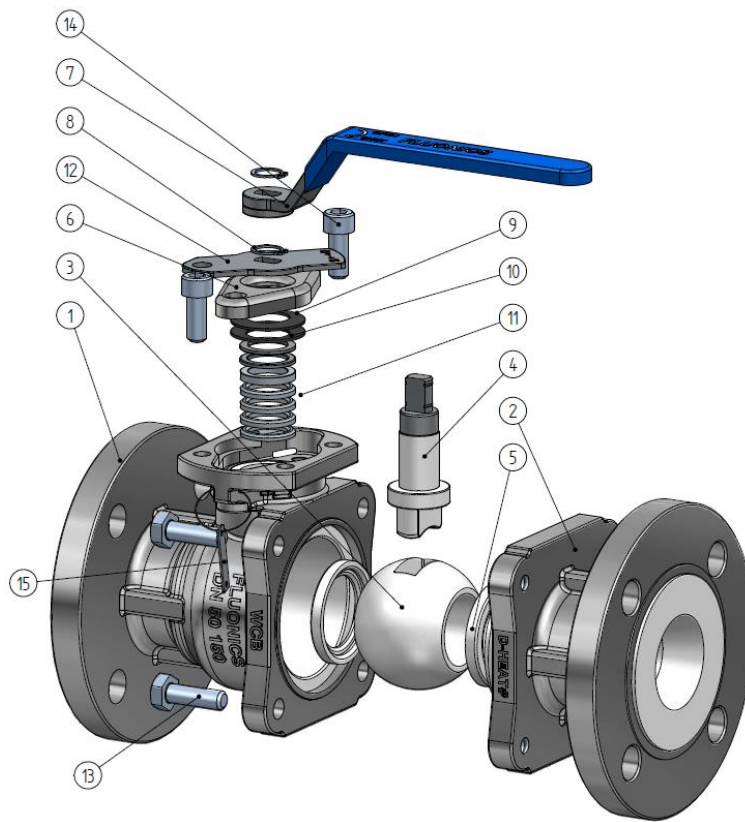


FLUONICS Lined Products

Series FBA2



STRUCTURE & SPECIFICATIONS

NO.	PART NAME	MATERIAL
1	BODY	WCB / CF8 with PFA
2	TAIL	WCB / CF8 with PFA
3	BALL	WCB / CF8 with PFA
4	STEM	CF8M with PFA
5	BALL SEAT	PTFE
6	BONNET	S.S / C.S
7	HAND LEVER	C.S, PVC COATED
8	RETAINER RING	SUS 304
9	BELLEVILLE SPRING	AISI 6150
10	GLAND	SUS 304
11	CHEVRON PACKING	PTFE
12	INDICATOR	SUS 304
13	HEX.HEAD BOLT	A193 Gr 8
14	SOCKET HEAD CAP SCREW	A193 Gr 8
15	TAG	SUS 304