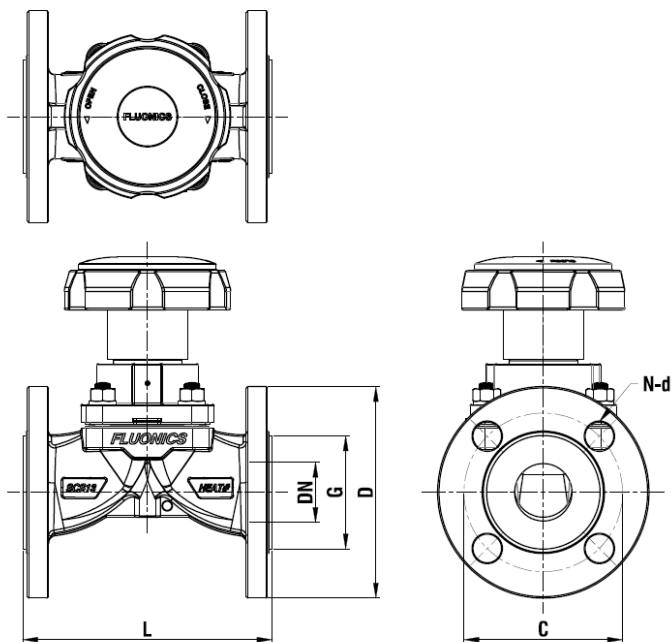
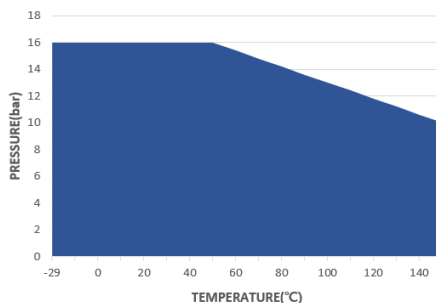


# FLUONICS Lined Products

Series FDI2



Pressure-Temperature Chart



SIZE	Cv
DN 20	12
DN 25	18
DN 40	42
DN 50	70

ANSI 150 LBS

SIZE	DN	L		D	C	G	N-d
		A	B				
3/4"	20	123	150	98.5	70	48	4-16
1"	25	132	160	108	79.5	57	4-16
1 1/2"	38	165	200	127	98.5	75	4-16
2"	50	197	230	152	120.5	93	4-19

JIS 10K

SIZE	DN	L		D	C	G	N-d
		A	B				
20A	20	123	150	100	75	54	4-16
25A	25	132	160	125	90	63	4-16
40A	38	165	200	140	105	75	4-16
50A	50	197	230	155	120	93	4-19

DIN PN 16

SIZE	DN	L	D	C	G	N-d
DN 20	20	150	105	75	54	4-14
DN 25	25	160	115	85	63	4-14
DN 40	38	200	150	110	75	4-18
DN 50	50	230	165	125	93	4-18