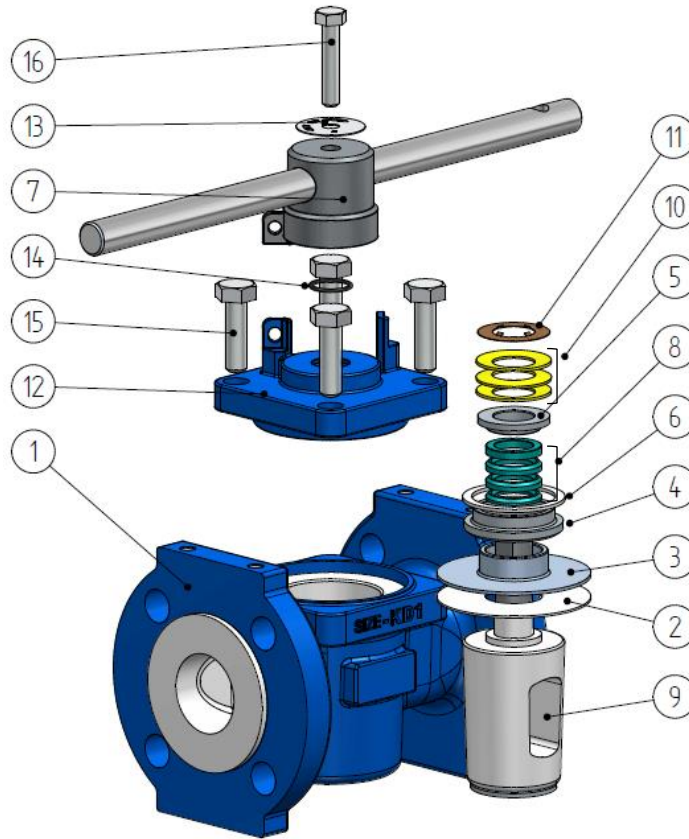


FLUONICS Lined Products

Series FPL2



STRUCTURE & SPECIFICATIONS

NO.	PART NAME	MATERIAL
1	BODY	WCB / CF8 with PFA
2	DIAPHRAGM	WCB / CF8 with PFA
3	DIAPHRAGM SEAT	PTFE
4	LOWER COMPRESSOR	CF8
5	UPPER COMPRESSOR	CF8
6	THRUST RING	PTFE
7	HUB	WCB / CF8
8	CHEVRON PACKING	PTFE
9	PLUG	WCB / CF8 / CD4MCuN with PFA
10	GROUND SPRING	SUS 304
11	BELLEVILLE SPRING	AISI 6150
12	BONNET	WCB / CF8
13	NAME PLATE	SUS 304
14	O-RING	NBR
15	HEX.HEAD BOLT	A2-70
16	HEX.HEAD BOLT	A2-70